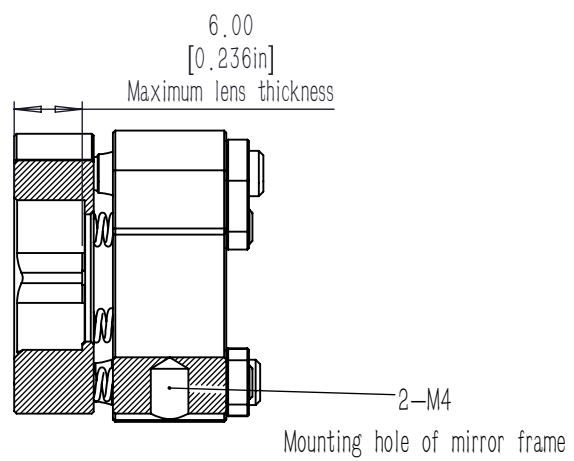
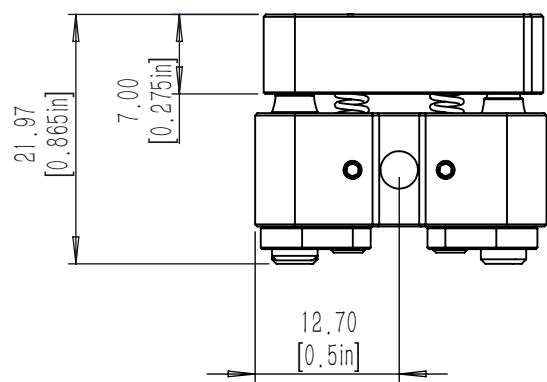


Stainless steel
Elastic optical clamping mechanism

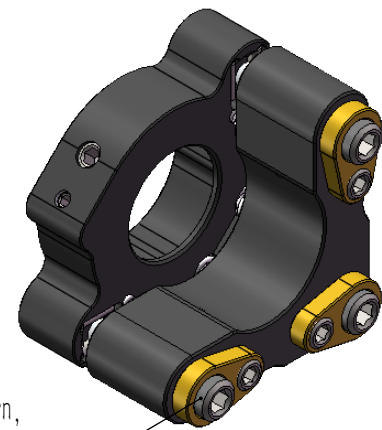
Install $\phi 12.7$ mm [0.50 in] optical lens,
Minimum thickness is 4 mm [0.157 in]
and maximum thickness is 6mm[0.236 in].



Cross section A-A



3-M4X0.25 adjustment screw,
providing $\pm 4^\circ$, 0.78° per turn,
lever locking,
2.0mm [5/64 inch] hexagon wrench hole.



| | | | | | | | | |
|--|------|----------------|-----------------------------------|--|-------------------|--------|-------|-----|
| DRAWING PROJECTION | | | EMHS12.7-3C | | Zolix | | | |
| DRAWN | NAME | DATE | | | | | | |
| APPROVAL | NIC | 10th/June/2025 | Standard optical adjustment mount | | MATERIAL | WEIGHT | SCALE | REV |
| THE DRAWINGS ARE ONLY FOR TYPE SELECTION INFORMATION | | | | | FOLLOW THE PARTS | 0.02 | 1.5:1 | V1 |
| | | | | | shop.zolix.com.cn | | | |